

Building connections that last™



Series 22B

2-Piece, Bronze Ball Valve with
ISO Mounting Pad Datasheet

600 PSI CWP, ¼" - 4"



2-Piece, Bronze Ball Valves with ISO Mounting Pad Series 22B



Features

- Heavy Wall, Cast Bronze Bodies
- Two-Piece Body
- 600 PSI CWP Pressure Rating - All Sizes
- Adjustable Stem Packing
- Blowout-proof Stem Design
- Reinforced Seats
- 316 Stainless Steel Ball and Stem Available
- Female NPT Threaded Ends
- Locking Handles Available in Carbon and Stainless Steel
- ISO 5211 Tapped Mounting Pads
- Quadrant® valves, actuators, and accessories are designed to work together, delivering exceptional performance.

Ratings

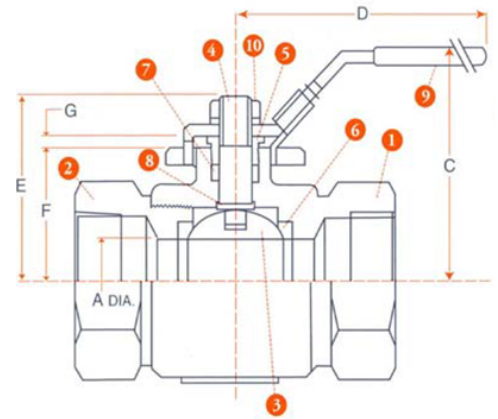
600 PSIG @100°F

250 PSIG Saturated Steam

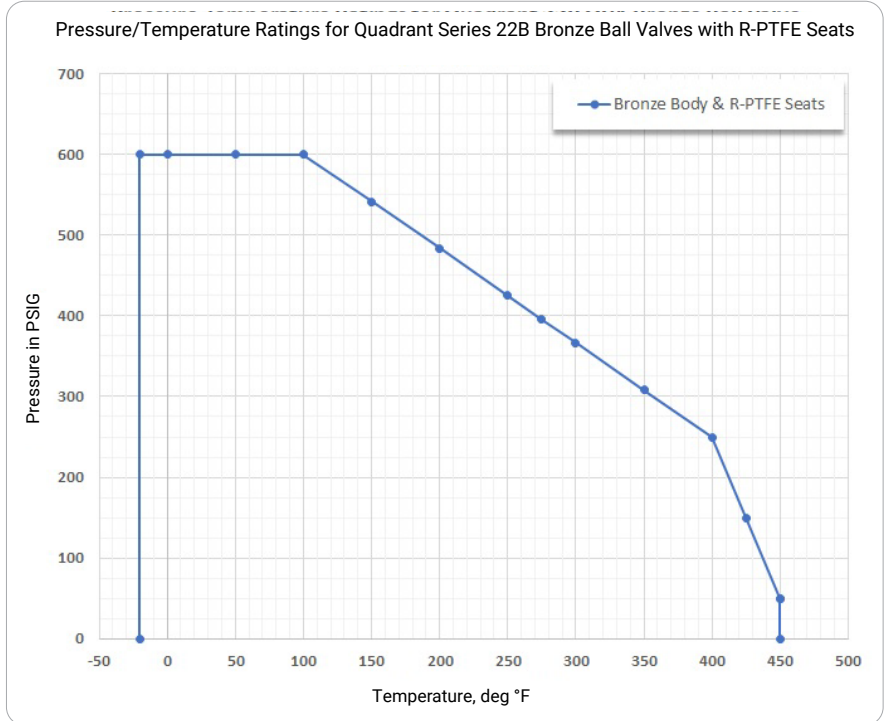
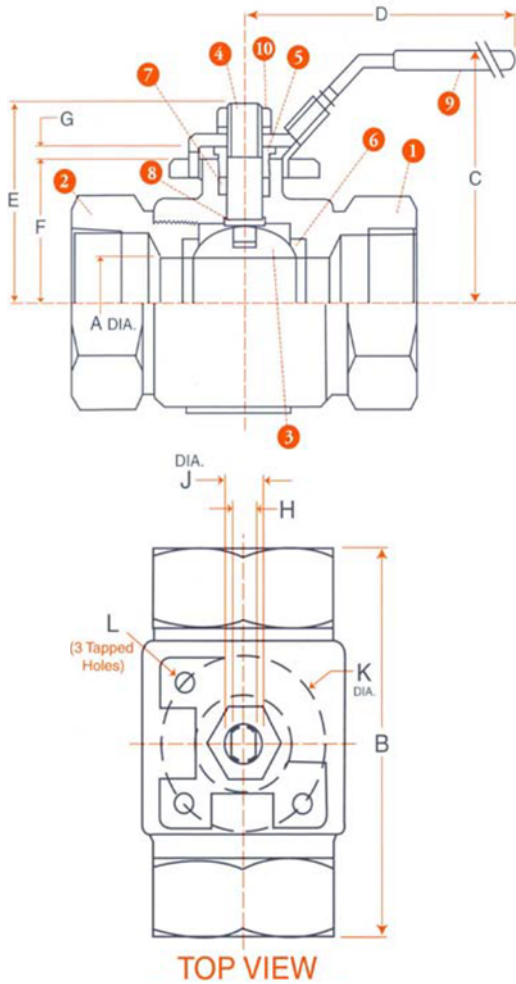
Materials of Construction

Part	Description	22-BP	22-BS
1	Body	Bronze B584 C84400	Bronze B584 C84400
2	Tailpiece	Brass B124 C37700	Brass B124 C37700
3	Ball	Brass Chrome Plated	ASTM A276 316 SS
4	Stem	Brass B21 C48200	ASTM A276 316 SS
5	Packing Nut	Brass B16 C36000	Brass B16 C36000
6	Seats (2)	R-PTFE*	R-PTFE*
7	Packing	Graphite	Carbon Filled PTFE
8	Thrust Washer	R-PTFE*	R-PTFE*
9	Handle Assy	Carbon Steel - Zinc Plate	304 Stainless Steel
10	Handle Nut	Carbon Steel - Zinc Plate	304 Stainless Steel

* Glass Filled PTFE.



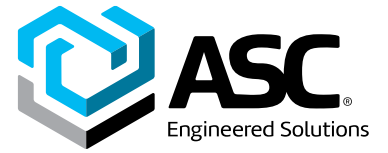
2-Piece, Bronze Ball Valves with ISO Mounting Pad Series 22B



Dimensions, Weights, C_v Factors & Maximum Operating Torque

Size	A (Port)	B	C	D	E	F	G	H	J	K DIA	L (3 TAPPED HOLES)	ISO Pattern	Weight Lbs.	C _v	Max Torque R-PTFE
¼" - ⅜"	0.38	2.00	2.00	4.08	1.36	0.86	0.10	0.20	0.31	1.42	¼"-20 UNC	F03	0.7	9	22 IN-LB
½"	0.50	2.43	2.22	4.05	1.57	1.02	0.12	0.20	0.31	1.42	¼"-20 UNC	F03	0.9	16	30 IN-LB
¾"	0.75	2.90	2.54	4.44	2.02	1.24	0.14	0.28	0.44	1.65	¼"-20 UNC	F04	1.6	35	122 IN-LB
1"	0.99	3.28	2.72	4.43	2.22	1.43	0.14	0.28	0.44	1.65	¼"-20 UNC	F04	2.4	60	140 IN-LB
1-¼"	0.99	3.95	3.12	6.14	2.59	1.64	0.20	0.35	0.56	1.97	¼"-20 UNC	F05	2.9	52	104 IN-LB
1-½"	1.25	4.24	3.40	6.16	2.81	1.86	0.20	0.35	0.56	1.97	¼"-20 UNC	F05	3.6	80	175 IN-LB
2"	1.5	4.62	3.56	6.15	3.03	2.10	0.20	0.35	0.56	1.97	¼"-20 UNC	F05	5.5	115	260 IN-LB
2-½"	1.97	5.71	3.85	6.26	3.29	2.38	0.20	0.35	0.56	1.97	¼"-20 UNC	F05	9.0	265	520 IN-LB
3"	2.5	7.01	4.81	9.41	4.00	2.98	0.18	0.47	0.75	2.76	⅝"-18 UNC	F07	15.1	420	608 IN-LB
4"	3.0	7.48	4.81	9.41	4.30	3.08	0.18	0.47	0.75	2.76	⅝"-18 UNC	F07	17.0	500	700 IN-LB

2-Piece, Bronze Ball Valves
with ISO Mounting Pad
Series 22B



Numbering System How to order Series 22B

22	F	B	P	R	R	SL	TT	050
Series	Port Size	Body Material	Ball / Stem Material	Seat Material	Seal Material	Handle Type	Ends	Size
22 2-Piece Ball Valve 600 PSI CWP	F Full (1/4"-1")	B Bronze	P Plated Brass	R R-PTFE (Glass Reinforced PTFE)	G Graphite	LL CS Latch Lock	TT FNPT	025 1/4" (F Port)
	R Reduced (1-1/4" - 4")		S 316 Stainless		R R-PTF	SL Stainless Latch Lock		038 3/8" (F Port)
						XH Extended Handle		050 1/2" (F Port)
						BS Balancing Stop Handle		075 3/4" (F Port)
								100 1" (F Port)
								125 1 1/4" (R Port)
								150 1 1/2" (R Port)
								200 2" (R Port)
								250 2 1/2" (R Port)
								300 3" (R Port)
								400 4" (R Port)

Note:
Responsibility for proper selection, use and maintenance of any product remains solely with the purchaser and end user.
We reserve the right to modify or improve the designs or specifications of any product at any time without notice.



About ASC Engineered Solutions

ASC Engineered Solutions is defined by quality—in its products, services and support. With nearly 2,000 employees, the company's portfolio of precision-engineered piping support, valves and connections provides products to more than 4,000 customers across industries, such as mechanical, industrial, fire protection, oil and gas, and commercial and residential construction. Its portfolio of leading brands includes ABZ Valve®, AFCON®, Anvil®, Anvil EPS, Anvil Services, Basic-PSA, Beck®, Catawissa, Cooplet®, FlexHead®, FPPI®, Gruvlok®, J.B. Smith, Merit®, North Alabama Pipe, Quadrant®, SCI®, Sharpe®, SlideLOK®, SPF®, SprinkFLEX®, Trenton Pipe and VEP. With headquarters in Oak Brook, IL, ASC also has ISO 9001:2015 certified production facilities in PA, TN, IL, TX, AL, LA, KS, and RI.



asc-es.com

Building connections that last™

FC-DS-Series-22B-v03 20240820

